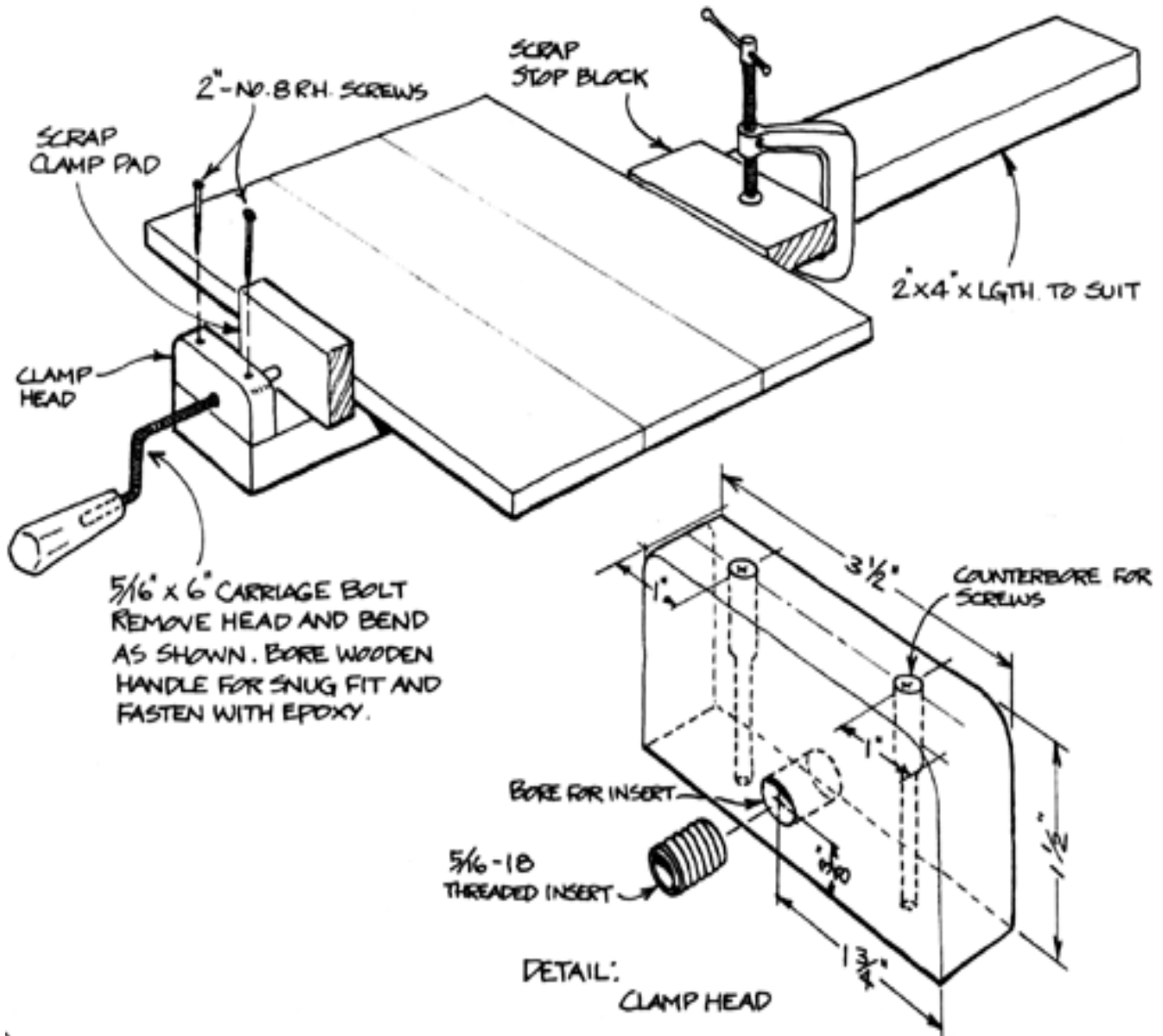


## Project 19963EZ: **Shop-Built Bar Clamp**

*Ever run short of bar or pipe clamps? These are fairly expensive items, so most woodworkers don't have as many as they need, resulting in glue joints that aren't as tight as they should be. Here is a relatively easy and inexpensive way to make your own, so you'll always be sure to have enough on hand.*

*While this clamp might not produce as much pressure as commercial clamps, it will be acceptable for most applications. We designed it for 3/4" thick stock, but if you want to work with heavier or lighter stock, adjust the location of the threaded insert to suit.*

# Shop-Built Bar Clamp Complete Schematic



# Shop-Built Bar Clamp Step-by-Step Instructions

1. Cut parts to the dimensions shown.
2. Make the “bar” from standard 2" x 4" stock.
3. Use hardwood to make the rest of the parts.
4. Glue and screw the clamp head to the “bar”.
5. Add the threaded insert (also called a rosan nut) to complete the project.

---

These plans were originally published in Volume 5, Issue 6 of *The Woodworker's Journal* (Nov/Dec. 1981, page 40).